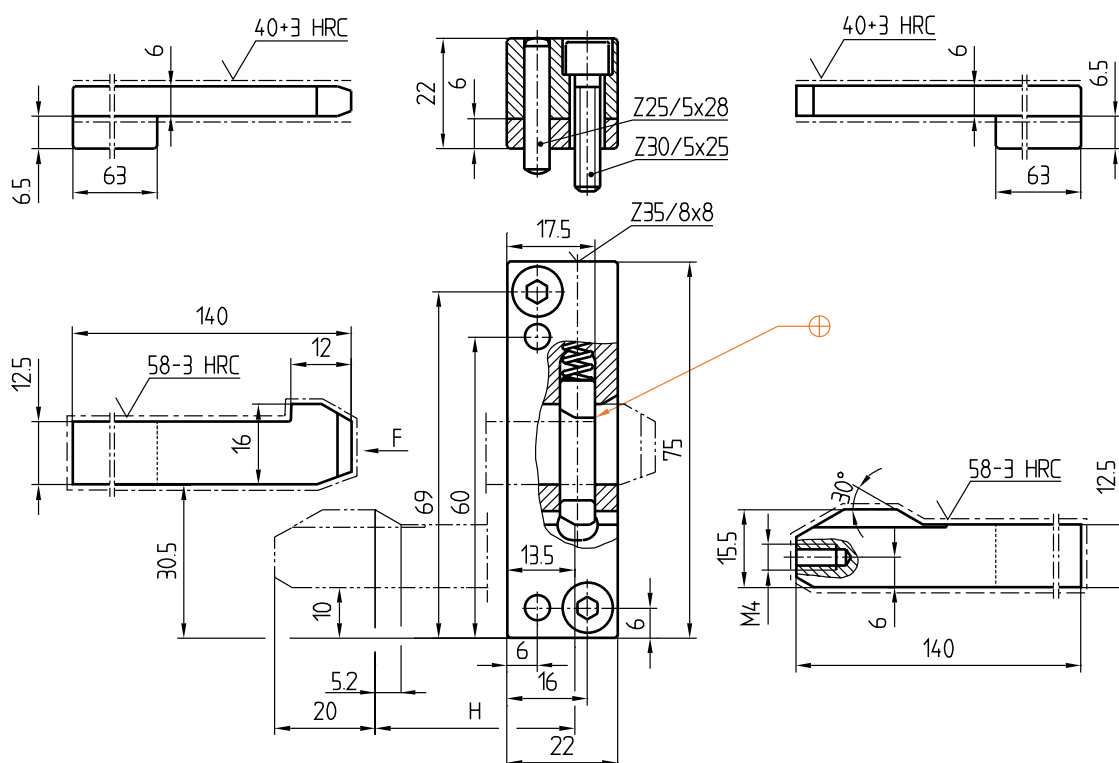
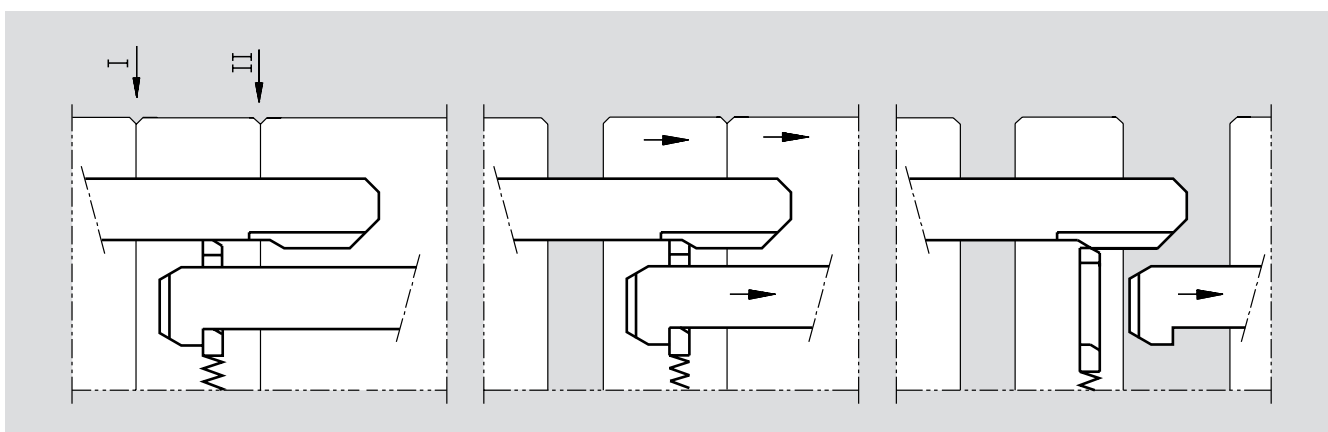


Z171/1

Mat.: 1.2764



► Info



H = Hub / Stroke / Course

H min.	H max.	F [N]	Typ	Nr./No.
5,5	80	6500	1	Z171/1

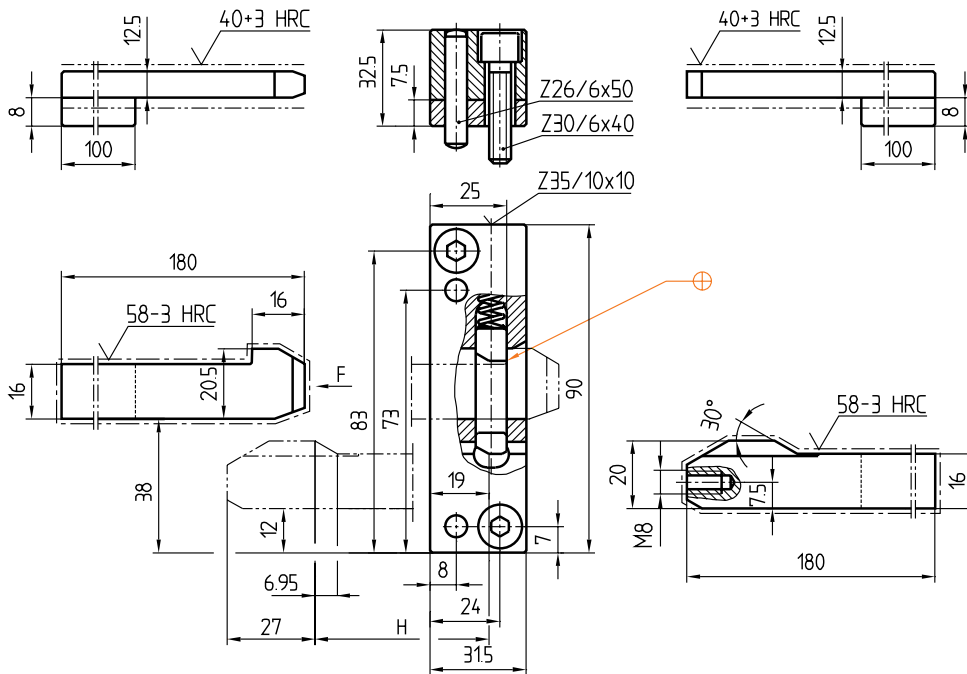
This is trial version
www.adultpdf.com

Z171/2

Mat.: 1.2764



► Info



H = Hub / Stroke / Course

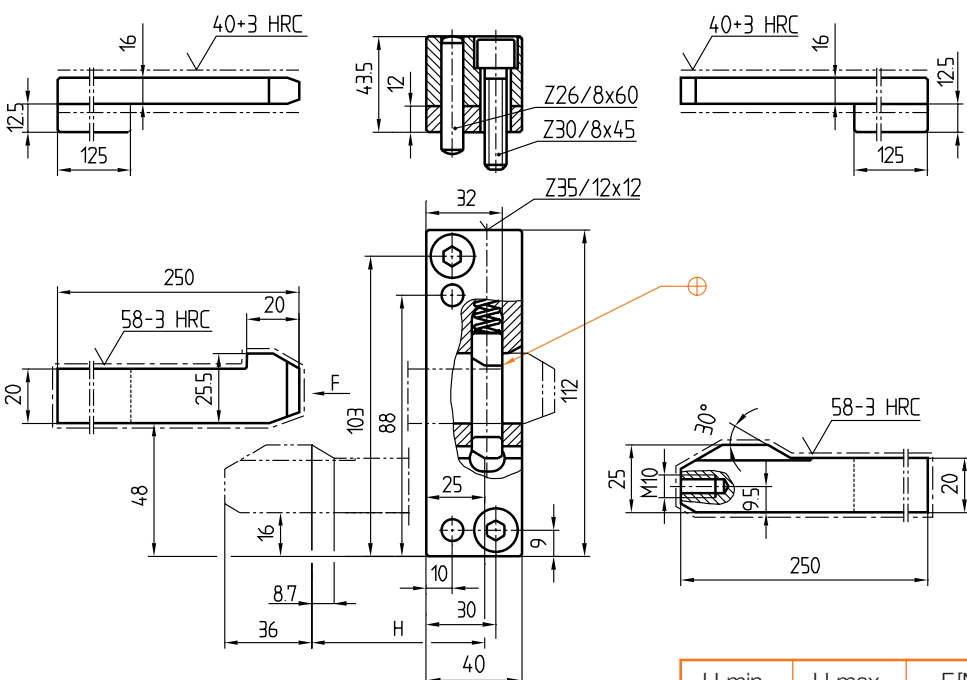
H min.	H max.	F [N]	Typ	Nr./No.
7	110	15500	2	Z171/2

Z171/3

Mat.: 1.2764



► Info



H = Hub / Stroke / Course

H min.	H max.	F [N]	Typ	Nr./No.
9	160	22000	3	Z171/3

This is trial version
www.adultpdf.com